



**SPIERINGS
CRANES**

Make: SPIERINGS Type: SK599-AT5

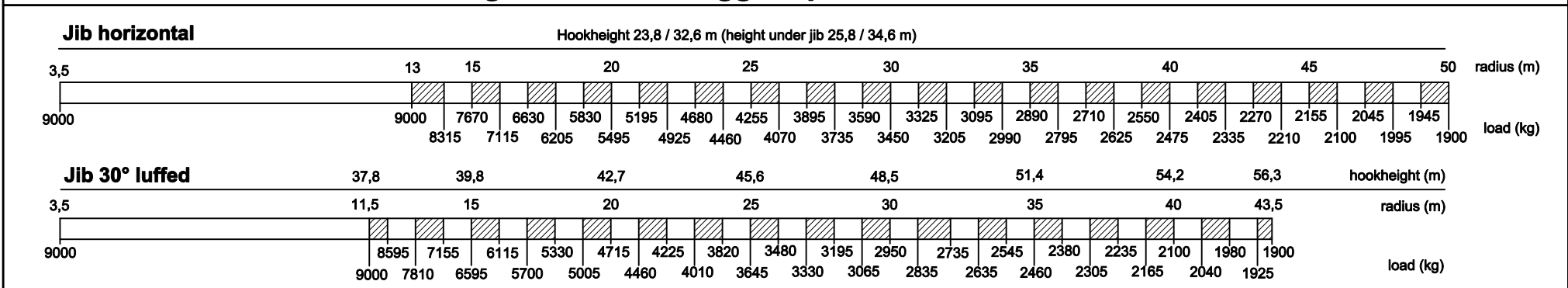
Crane specification

R002

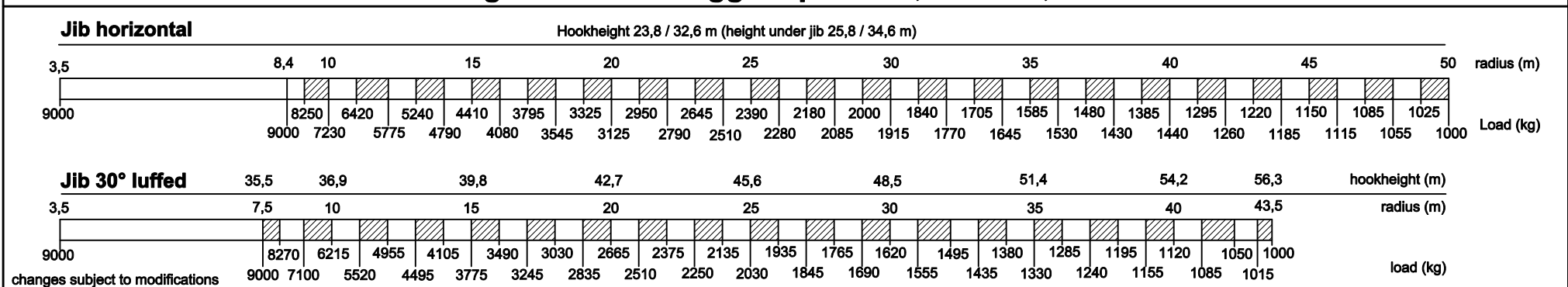
Serial number <input type="text"/>	Crane group : A3 as per FEM 1.001	Max. load 9,0 tonne	Max.radius with max. load 13 m	Max. capacity 117 tm	Max. jib length 50 m
	Year of construction <input type="text"/>				
	Classification : U4 as per FEM 1.001				
	Stability : as per FEM 1.001				

Speeds Jib horizontal / jib 30° luffed		All motions with hydraulic proportional controls Luffing the jib 30° can be controlled from crane cab or via remote control The crane should be folded in at a wind force of 9 on the Beaufort scale (wind speed 21 m/min) or when not in use for a longer period	Crane equipped with full counterweight: 10380 kg 360° continuous slewing : with outriggers out and down Operating temperature : range from -15° to 40° C.	Rated lifting capacity is net capacity In all cases 2 parts of line Max. line pull force : 4500 kg Sail area of the load : max. 1,0 m ² / tonne Max. outrigger loading: 440 kN	Outrigger position : 7,50 x 7,66 m Operation allowed up to a wind force of 7 on the Beaufort scale (wind speed 14 m/sec) Outrigger position : 7,50 x 5,72 m Operation allowed up to a wind force of 7 on the Beaufort scale (wind speed 14 m/sec)									
	<table border="1"> <tr> <th>m/min</th> <th>kg</th> <th>0 - 70 m/min</th> </tr> <tr> <td>20</td> <td>9000</td> <td rowspan="3"></td> </tr> <tr> <td>32</td> <td>4500</td> </tr> <tr> <td>50</td> <td>2250</td> </tr> <tr> <td>75</td> <td>0</td> <td>0 - 0,9 rpm</td> </tr> </table>					m/min	kg	0 - 70 m/min	20	9000		32	4500	50
m/min	kg	0 - 70 m/min												
20	9000													
32	4500													
50	2250													
75	0	0 - 0,9 rpm												

Lifting chart Outrigger spread 7,50 m x 7,66 m



Lifting chart Outrigger spread 7,50 m x 5,72 m



changes subject to modifications



**SPIERINGS
CRANES**

Make: SPIERINGS Type: SK599-AT5

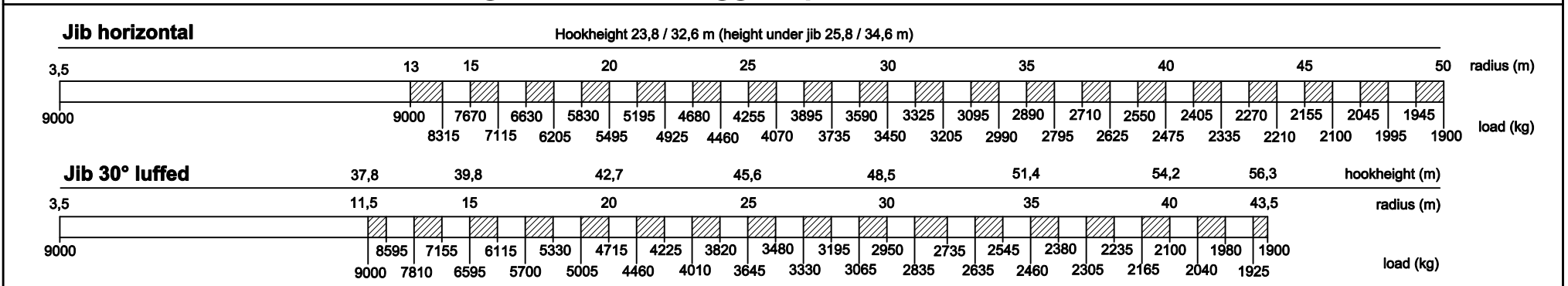
Crane specification

R002

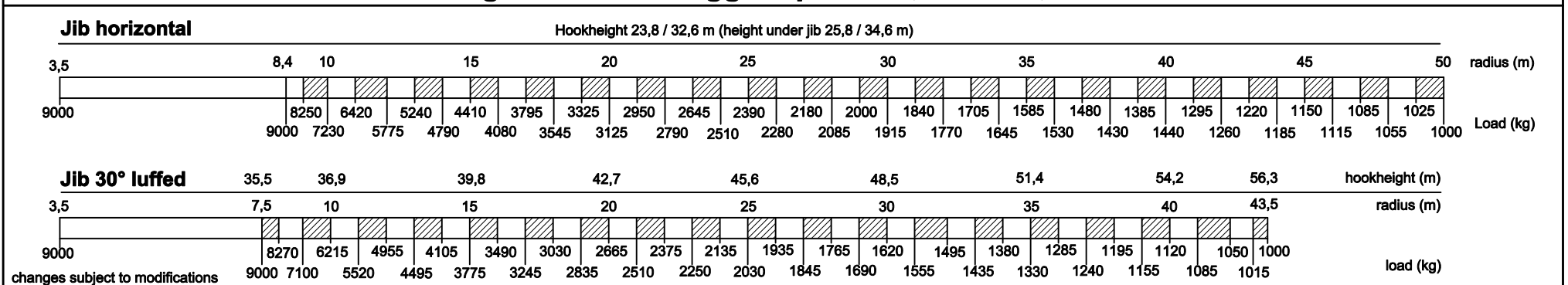
Serial number <input type="text"/>	Crane group : 3 as per NEN 2018	Max. load 9,0 tonne	Max.radius with max. load 13 m	Max. capacity 117 tm	Max. jib length 50 m
	Loadspectrum : 2 as per NEN 2018				
Year of construction <input type="text"/>	Classification : A as per NEN 2018				
	Stability : as per NEN 2022				

Speeds Jib horizontal / jib 30° luffed		All motions with hydraulic proportional controls Luffing the jib 30° can be controlled from crane cab or via remote control The crane should be folded in at a wind force of 9 on the Beaufort scale (wind speed 21 m/min) or when not in use for a longer period	Crane equipped with full counterweight: 10380 kg 360° continuous slewing : with outriggers out and down Operating temperature : range from -15° to 40° C.	Rated lifting capacity is net capacity In all cases 2 parts of line Max. line pull force : 4500 kg Sail area of the load : max. 1,0 m ² / tonne Max. outrigger loading: 440 kN	Outrigger position : 7,50 x 7,66 m Operation allowed up to a wind force of 7 on the Beaufort scale (wind speed 14 m/sec) Outrigger position : 7,50 x 5,72 m Operation allowed up to a wind force of 7 on the beaufort scale (wind speed 14 m/sec)														
	<table border="1"> <tr> <th>m/min</th> <th>kg</th> <th>0 - 70 m/min</th> <th>0 - 0,9 rpm</th> </tr> <tr> <td>20</td> <td>9000</td> <td rowspan="2"></td> <td rowspan="2"></td> </tr> <tr> <td>32</td> <td>4500</td> </tr> <tr> <td>50</td> <td>2250</td> <td></td> <td></td> </tr> <tr> <td>75</td> <td>0</td> <td></td> <td></td> </tr> </table>					m/min	kg	0 - 70 m/min	0 - 0,9 rpm	20	9000			32	4500	50	2250		
m/min	kg	0 - 70 m/min	0 - 0,9 rpm																
20	9000																		
32	4500																		
50	2250																		
75	0																		

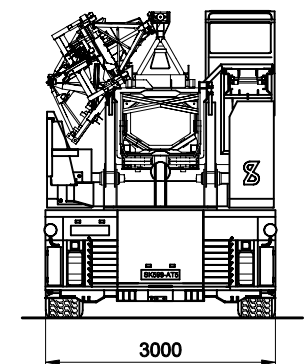
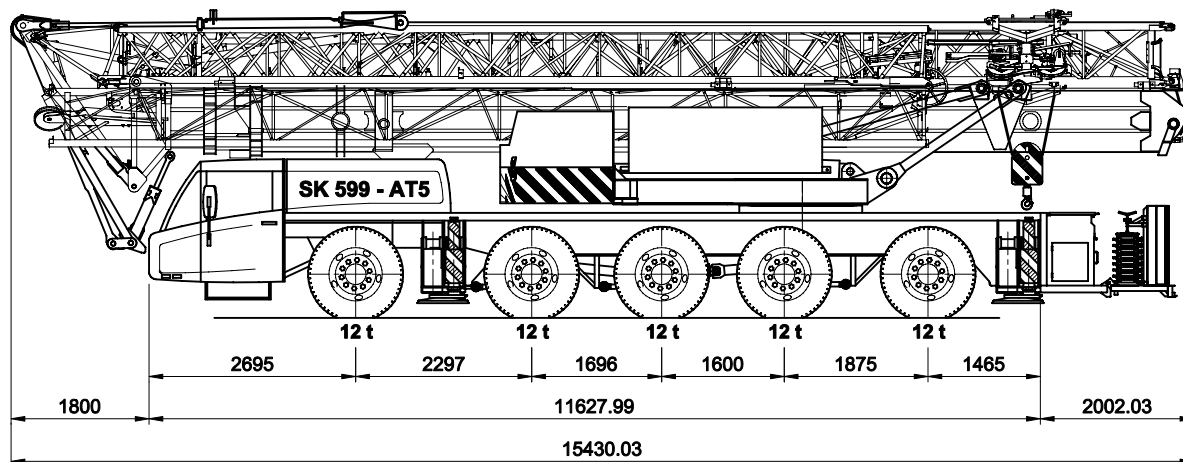
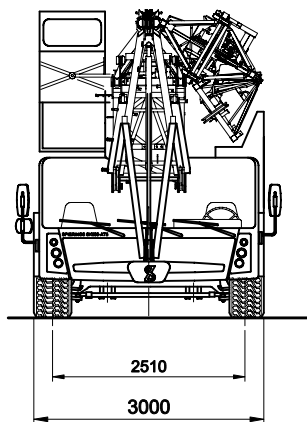
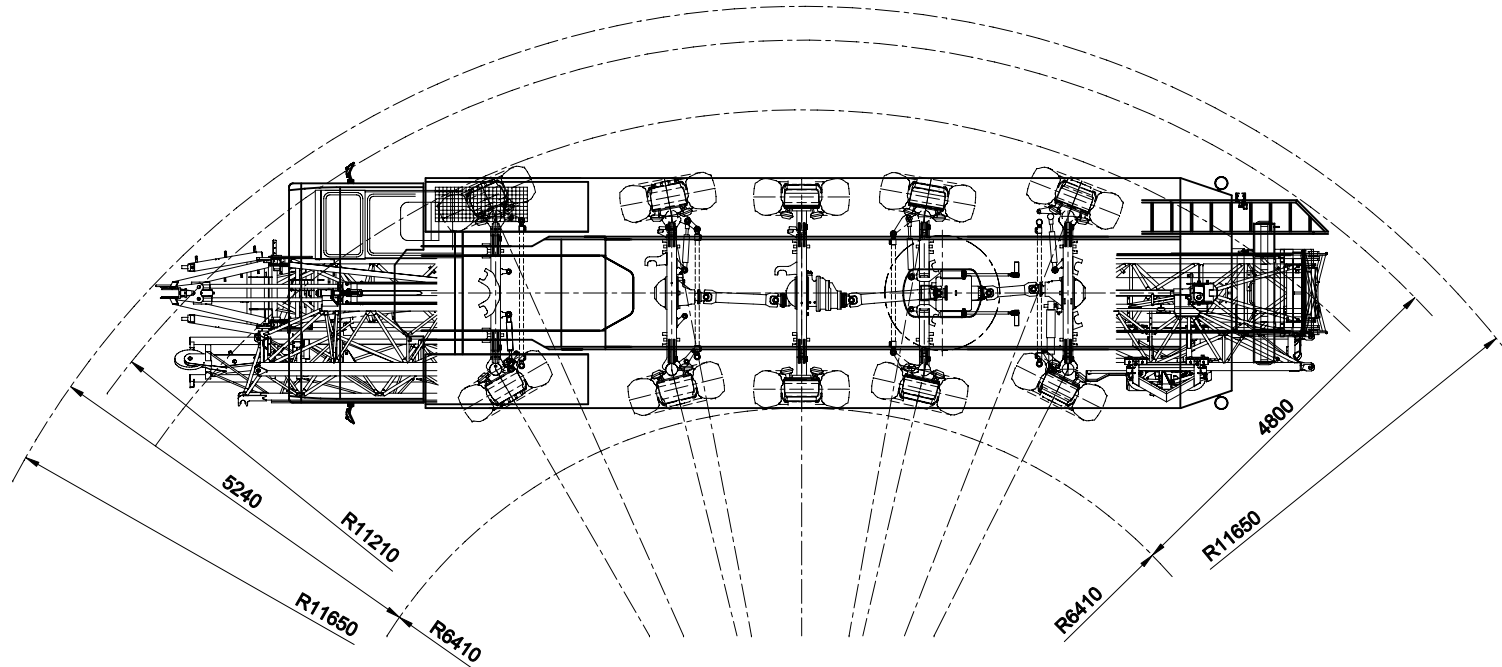
Lifting chart Outrigger spread 7,50 m x 7,66 m



Lifting chart Outrigger spread 7,50 m x 5,72 m



changes subject to modifications



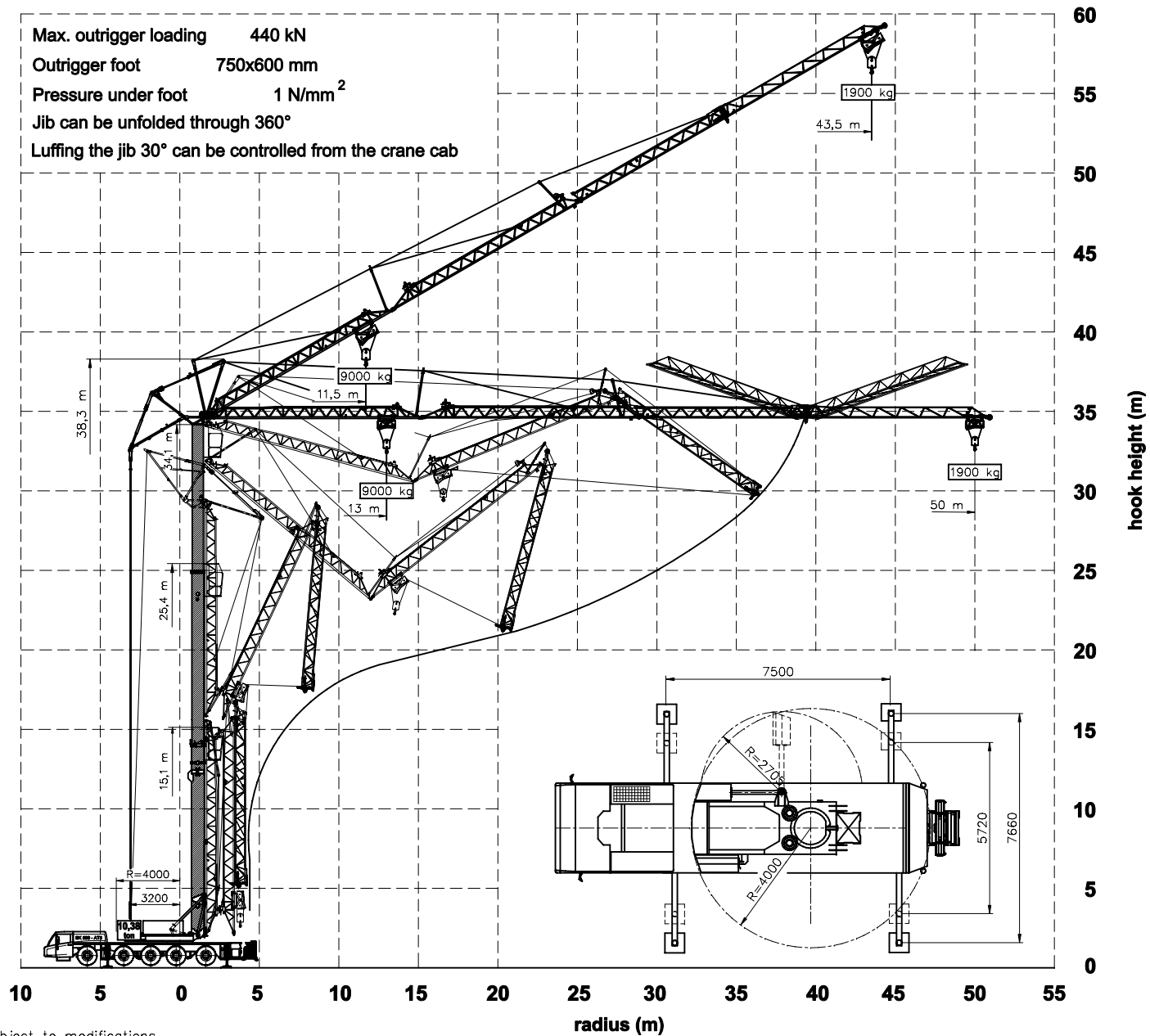
Spierings Hydraulic Folding Crane

SK 599 - AT5

Total weight: 60000 kg
changes subject to modifications

**SPIERINGS
KRANEN**
Merwedestraat 15
5347 KZ Oss NL
Tel. +31 (0)412-628964
Fax +31 (0)412-645299

Max. outrigger loading 440 kN
 Outrigger foot 750x600 mm
 Pressure under foot 1 N/mm²
 Jib can be unfolded through 360°
 Luffing the jib 30° can be controlled from the crane cab

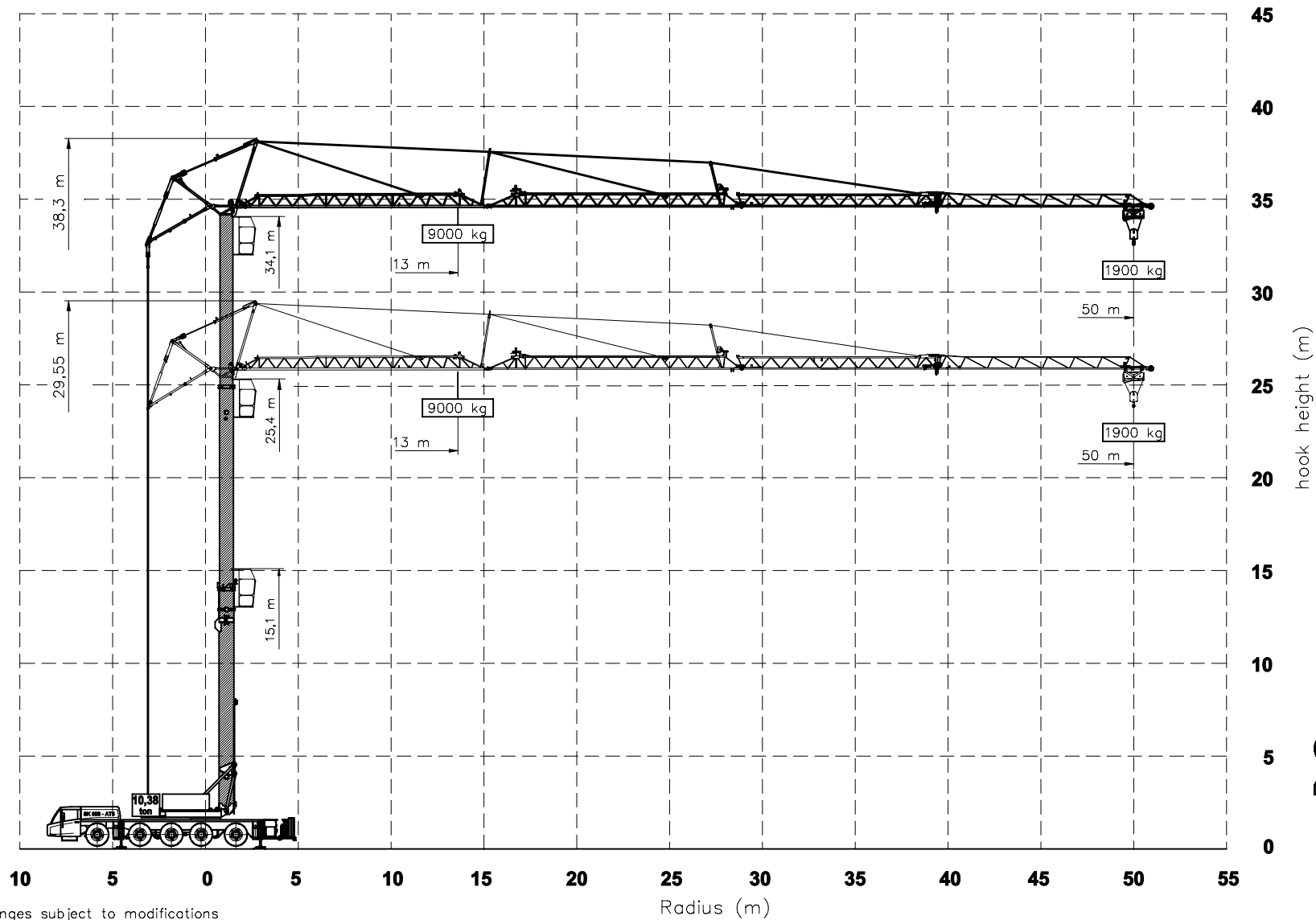


SPIERINGS HYDRAULIC FOLDING CRANE SK599-AT5



Merwedestraat 15
 5347 KZ Oss NL
 Tel. +31 (0)412-626964
 Fax +31 (0)412-645299

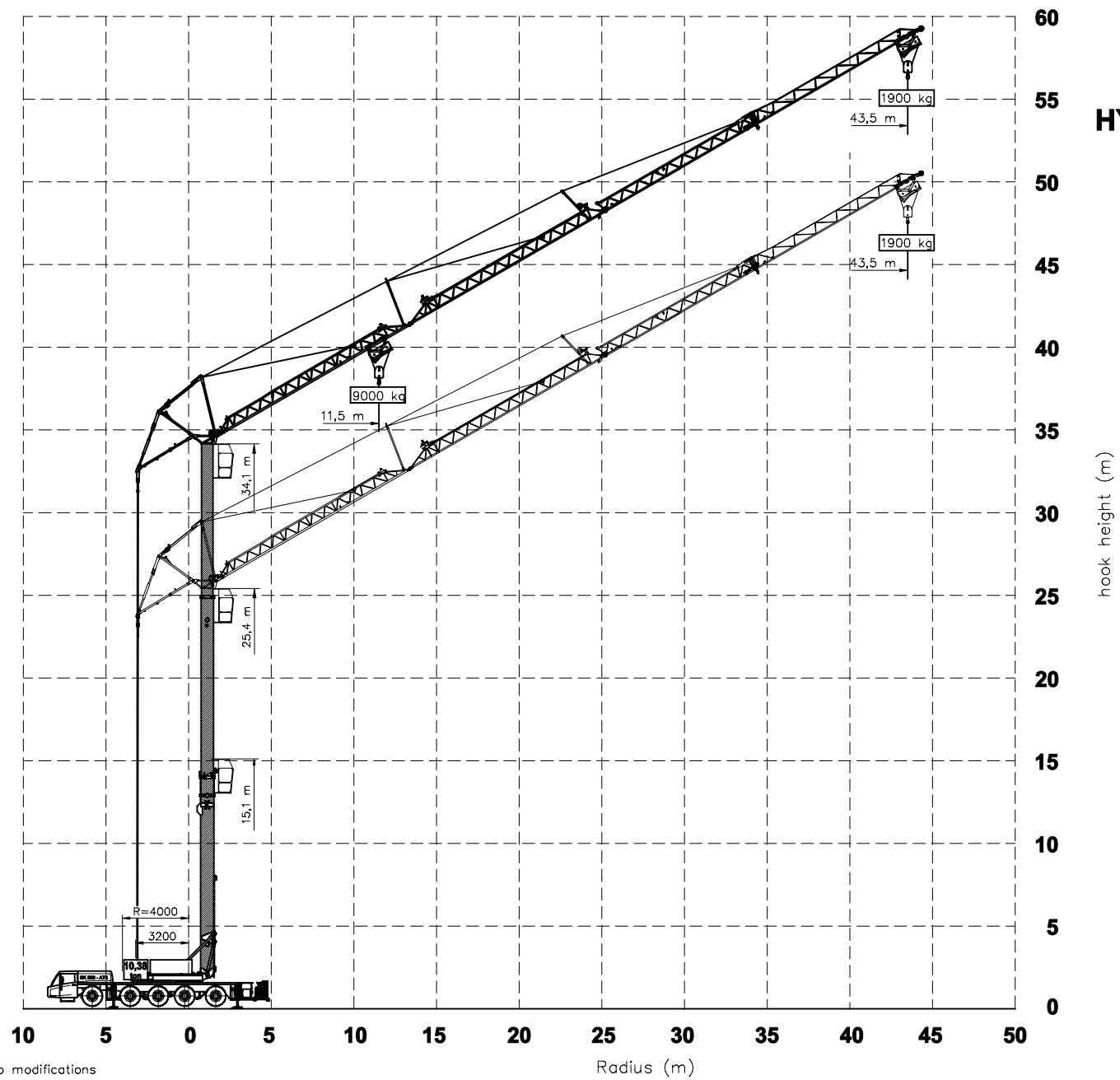
SPIERINGS HYDRAULIC FOLDING CRANE SK599-AT5



Merwedestraat 15
5347 KZ Oss NL
Tel. +31 (0)412-626964
Fax +31 (0)412-645299

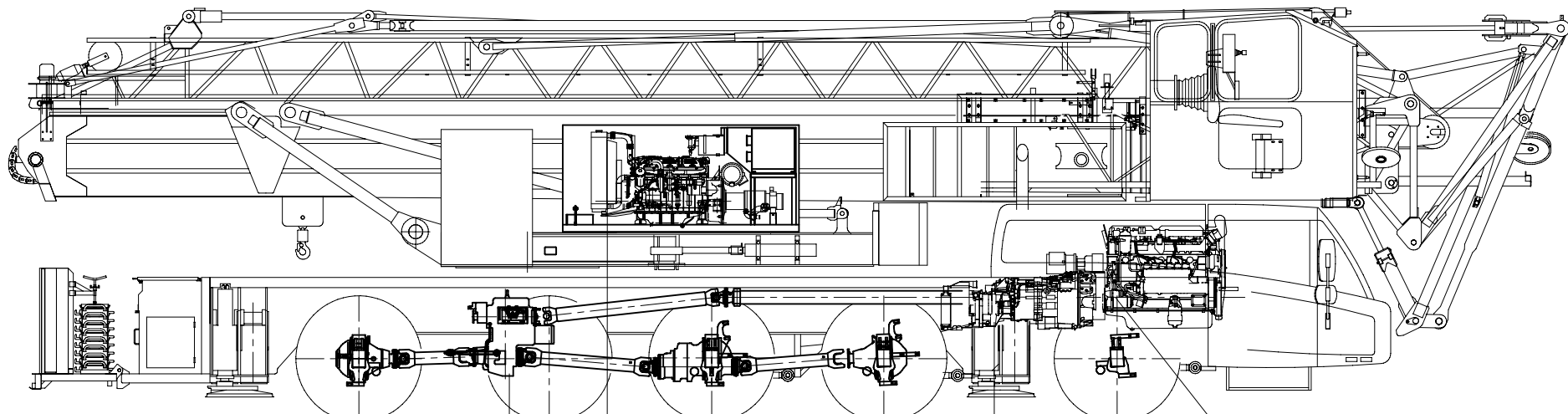
Changes subject to modifications

SPIERINGS HYDRAULIC FOLDING CRANE SK599-AT5



Merwedestraat 15
5347 KZ Oss NL
Tel. +31 (0)412-626964
Fax +31 (0)412-645299

Changes subject to modifications



Axle 5

Axle 4

Axle 3

Axle 2

Axle 1

Transfer box:
 STEYR VG2001/396
 Road gear $i=0,89$
 Off road gear $i=1,54$

Crane diesel engine:
 DETROIT VM D706 IE2
 Power: 96 kW (2600 rpm)
 Torque: 480 Nm (1300 rpm)

Gearbox:
 ZF 16AS2601
 Automatic
 Dry plate clutch
 + retarder

Carrier diesel engine:
 DAF XE 390 C (EURO 3)
 Power: 390 kW (1900 rpm)
 Torque: 2300 Nm (1500 rpm)

Axle 1 : Steer axle

Axle 2 : Steer drive axle (end reduction $i=6,35$)

Axle 3 : Drive axle , non steered (end reduction $i=6,35$)

Axle 4 : Steer axle

Axle 5 : Steer drive axle (end reduction $i=6,35$)

Tyres

Suspension: hydro-pneumatic on all axles; stroke cyl.

Max. speed carrier

Min. speed carrier (engine at 1000 rpm)

Overall weight

: 445/75 R22,5

: 247 mm

: 85 km/h

: 1,6 km/h

: 60.000 kg.

Drive train Spierings Folding Crane SK 599 - AT5

Changes subject to modifications